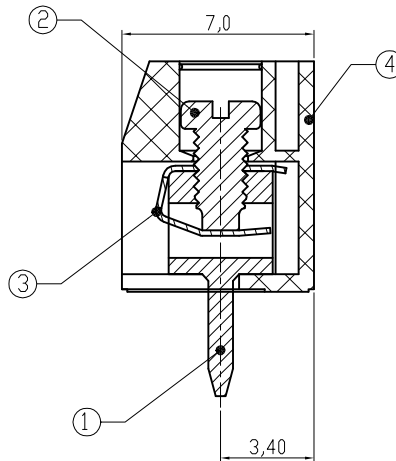
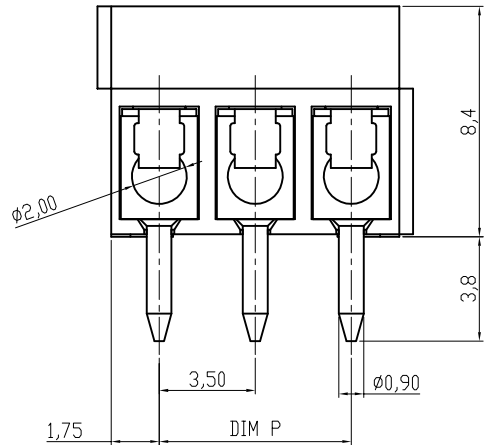


RECOMMENDER PCB LAYOUT



Material

- ① Terminal body(metal housing): Brass(CuZn),Tin plated
- ② Terminal screw: Steel Zinc plating "-" slot type
- ③ Wire guard: Stainless steel
- ④ Insulator (housing): Thermoplastic (UL94V-0) BLACK(RAL9005)

Electrical UL

- Voltage rating: 125V
- Current rating: 10A
- Wire range:
- Solid wire(AWG): 16-26
- Stranded wire(AWG): 16-26
- Torque(Lb-In): 1.7Lb-In
- Screw: M2
- Wire strip length: 5-6mm
- Withstanding Voltage: 1.25KV
- Operating temperature: -40°C to +115°C
- ② Soldering temperature: 260°C±5°C/5 Sec
- Safety Approval:

DIMENSION

L	Nx3.5
P	(N-1)x3.5

N=Number of poles

①	Poles	Tolerance	
		DIM L	DIM P
	2p-6p	±0.15	±0.10
	7p-12p	±0.20	±0.20
	13p-18p	±0.30	±0.25
	19p-24p	±0.35	±0.30

RoHS compliant
Unit: mm



File No.: E349947

Scale	Free					Date	Name	
TOLERANCE						Drawn	19.04.2010	Alex
X.	±0.50					Approved	25.03.2016	Amy
X.X	±0.30							
X.XX	±0.10	②	Update to new drawing and add UL	25.03.2016	Amy			
DIM	TOL	①	Update tolerance table	28.05.2014	Ray			
Angle	±1°	③	Drawn	19.04.2010	Alex			
Angle	TOL	Id.	Modification	Date	Name			



Customer-No.	
ASSMANN WSW-No.	
A-TB350-TExx	
Drawing-No.	
ASS 4091 CO	rev02
Replace	Sheet